

Dimensioning

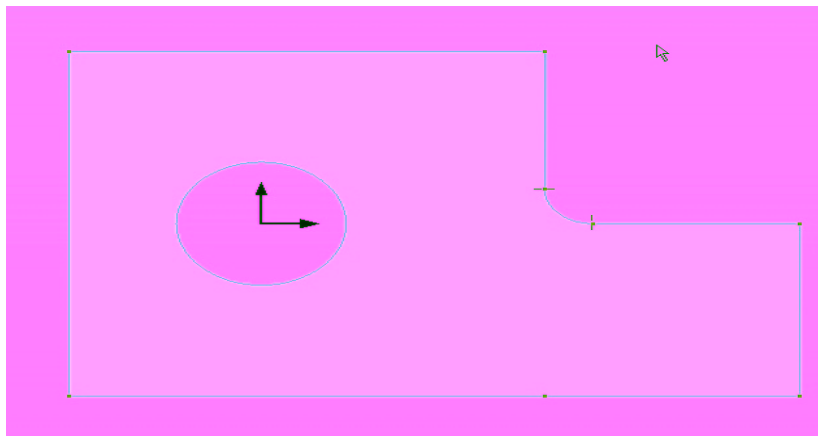
When you are designing in Pro/DESKTOP it is important that you dimension your sketches.

The dimensions within the Design package are used in the Drawing package also and enable the design to be changed at any time.

There are several ways to dimension parts some of which are shown below.

It is good practice to select a reference line and dimension everything in relation to this.

Below is a sketch that has been drawn freehand which we will now dimension. The dimension tool is located on the constraints toolbar as shown.



Un-dimensioned sketch

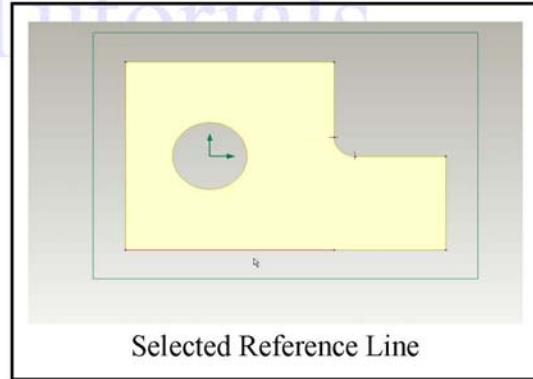
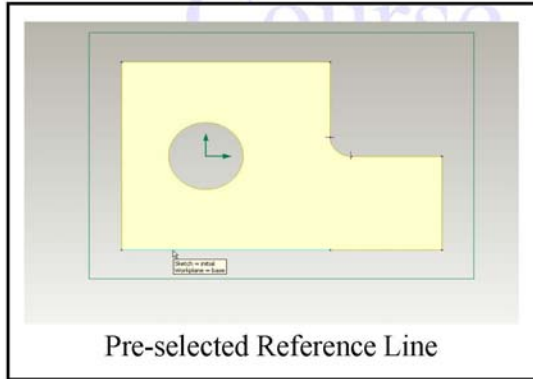


Go to Next page

Dimensioning

A Reference line is selected. To do this move over the line with the Dimension tool and the line will be pre-selected and coloured blue. Click on the line to

change to red to show it is selected.



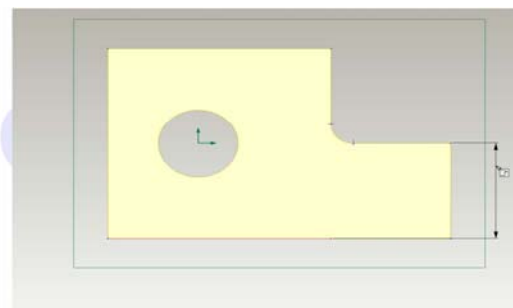
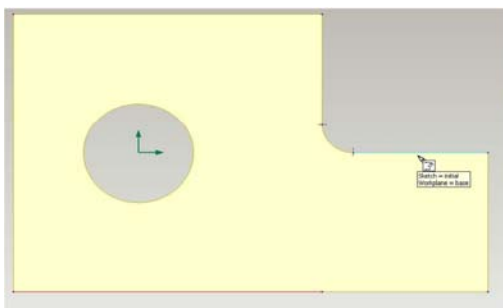
select it, the colour will

Now move the mouse to select the line that we will dimension to.

Note as you move over the line the cursor changes to show a dimension tool and the line to be dimensioned is pre-selected in **Blue**.

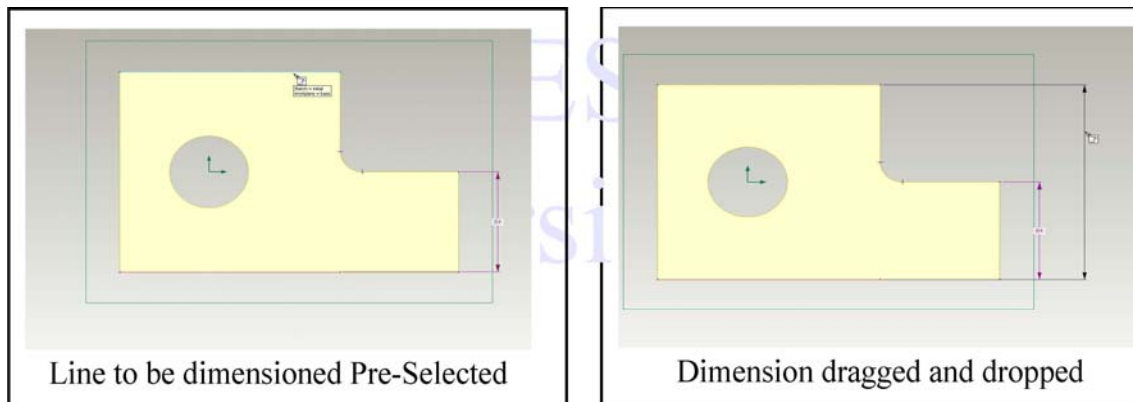
Click on the line and hold down the mouse button and drag the dimension away.

Release the mouse to drop the dimension.

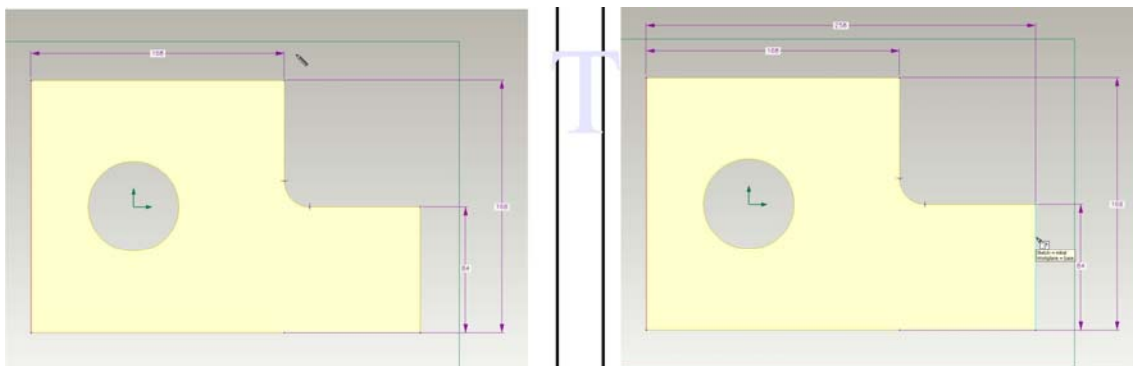


Dimensioning

Repeat for other edges



Select the Left hand edge as a reference then dimension the vertical edges.



Dimensioning a Circle or an Arc

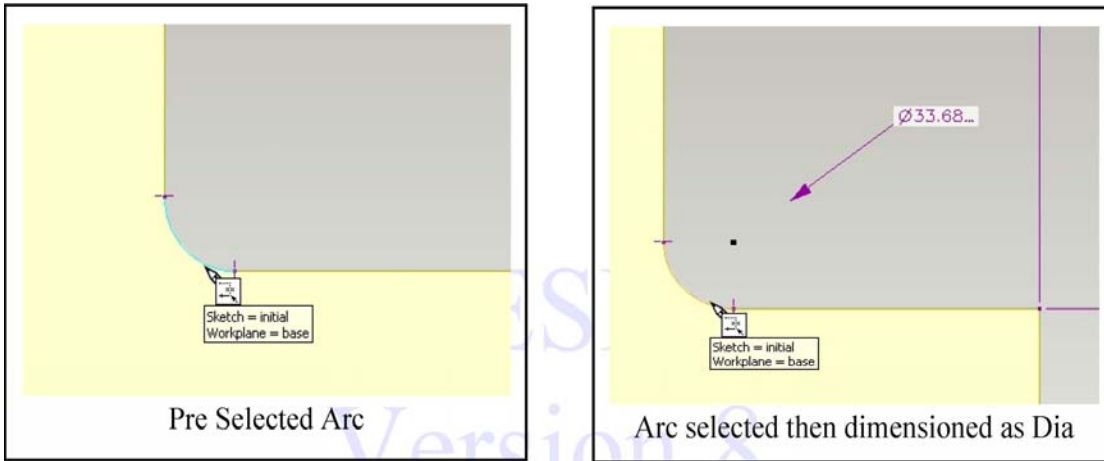
First you must ensure no reference lines are selected (if they are, click the mouse away from any line).

Move over the arc and it will pre-select in **Blue**.

If you want to dimension a **Radius value**, then, whilst the arc is **pre-selected** click and hold the mouse button and drag the dimension away.

Dimensioning

If you want to dimension as a **Diameter value**, first select the line, then when it is **selected**, (red) click on it and drag it away.

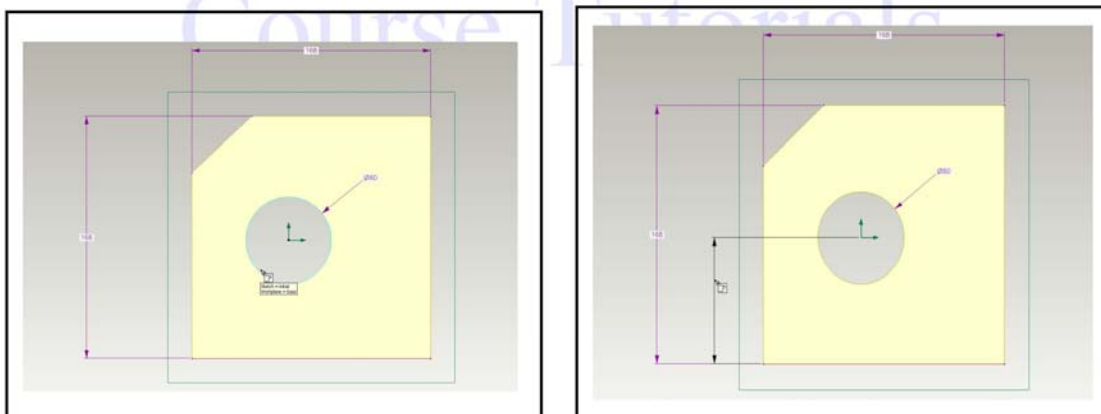


Dimension to the centre of a Circle or an Angle

When dimensioning the centre of an arc or circle you must first highlight a reference line by selecting it and ensure it is coloured **red**.

To select the centre of a circle you have to move the cursor to a position just inside its diameter and then you will see a black square appear marking the centre.

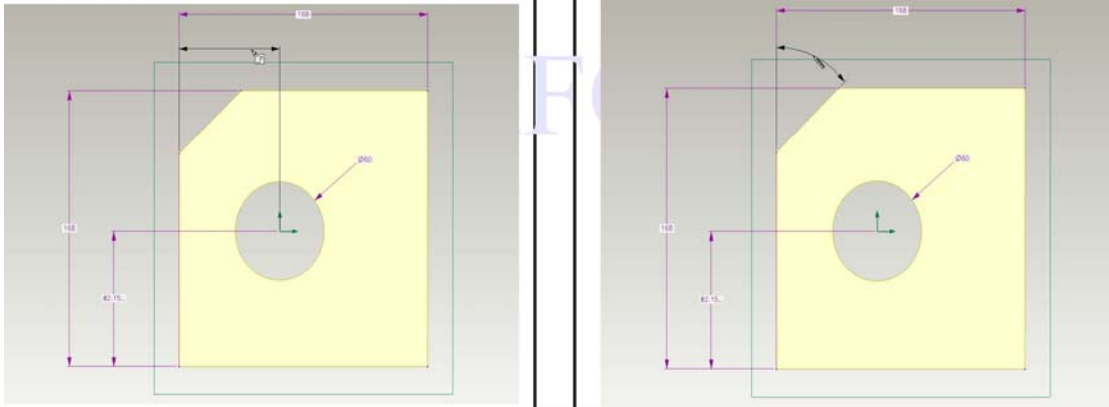
square is present any dimensions will snap to this point.



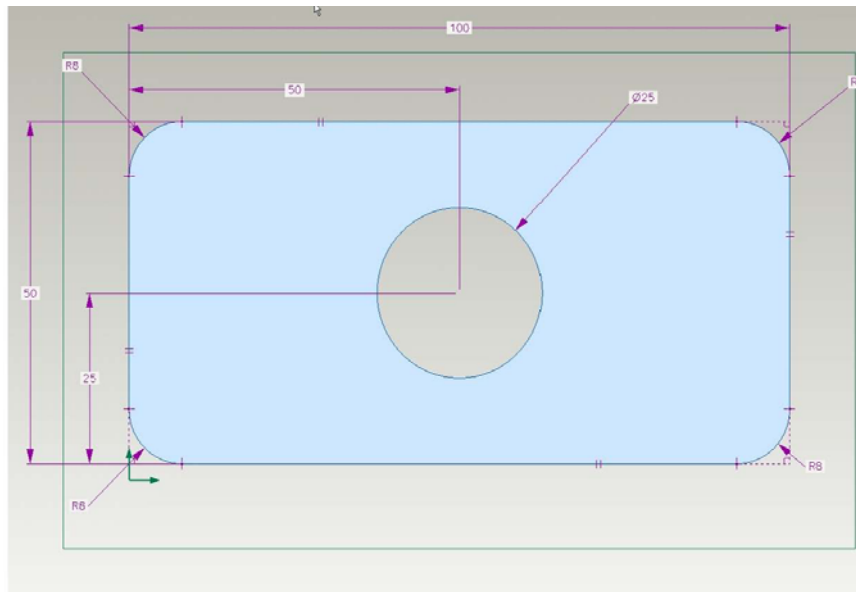
Dimensioning

When dimensioning an angle first select reference side then move over the line whose angle you want to dimension until the line is Pre-Selected and coloured **Blue**.

Click and drag the dimension.



Try this exercise below in dimensioning



Course Tuto